

NOTES:
 1. NOT AVAILABLE AS STANDARD.
 2. Ⓢ REPRESENTS A CRITICAL DIMENSION.
 3. PARTS TO BE PACKAGED IN TAPE & REEL.

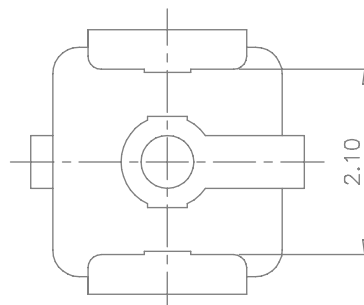
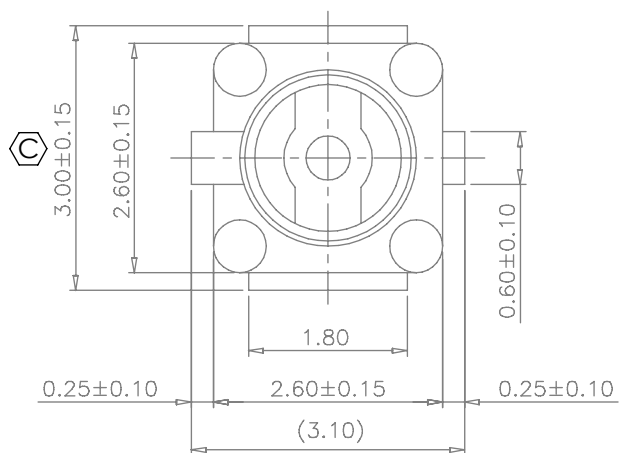
REVISION

0	TP	R SKEES
3/17/2006	ECN-57264	
ISSUE FOR REVIEW		
A	TP	L PAPP
10/30/2007	ECN-82490	
RELEASE FOR PRODUCTION & CHG BULK PACKAGING TO TAPE & REEL		

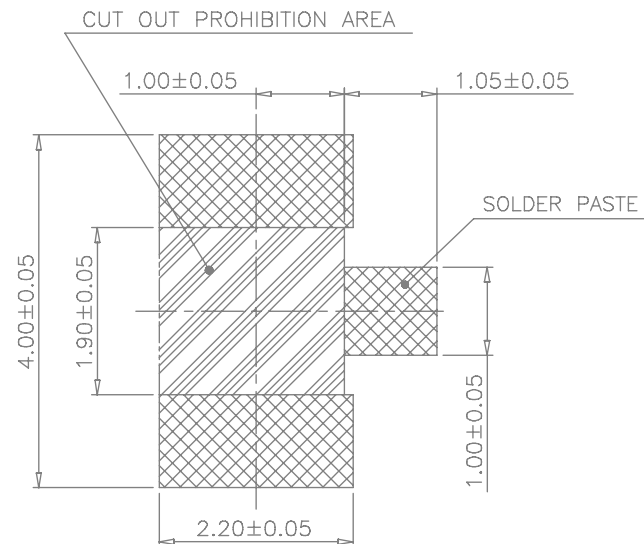
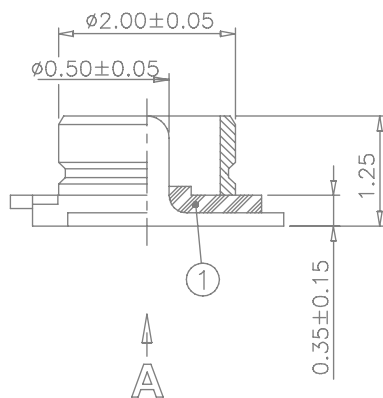
SPECIFICATIONS:

ELECTRICAL RATINGS

Impedance	50 ohm
Applicable Frequency	0 ~ 6 GHz
V.S.W.R.	1.5 max.



View "A"



RECOMMENDED FOOTPRINT PATTERN

ACCEPTANCE OF DRAWING
 ACCEPTED WITH DEVIATIONS LISTED

DATE: _____
 COMPANY: _____
 CUSTOMER SIGNATURE _____
 PRINTED NAME _____
 PHONE No: _____
 FAX No: _____

ITEM NO.	PART NUMBER
1	RSP-122811-01

UNLESS OTHERWISE SPECIFIED,
 DIMENSIONS ARE IN MILLIMETERS.
 TOLERANCES ARE:
 DECIMALS ANGLES
 .XX: ±.10 5°
 .XXX: ±.05

PROPRIETARY NOTE

THIS DOCUMENT CONTAINS INFORMATION CONFIDENTIAL AND PROPRIETARY TO SAMTEC, INC. AND SHALL NOT BE REPRODUCED OR TRANSFERRED TO OTHER DOCUMENTS OR DISCLOSED TO OTHERS OR USED FOR ANY PURPOSE OTHER THAN THAT WHICH IT WAS OBTAINED WITHOUT THE EXPRESSED WRITTEN CONSENT OF SAMTEC, INC.



520 PARK EAST BLVD., NEW ALBANY, IN 47150
 PHONE: 812-944-6733 FAX: 812-948-5047
 e-Mail: info@SAMTEC.com code: 55322

DO NOT SCALE DRAWING

SHEET SCALE: 1:1

DESCRIPTION:
 I-PEX MHF I CONNECTOR RECEPTACLE

DWG. NO. RSP-122811-01

BY: TIM P. 03/17/2006 SHEET 1 OF 1