



DESIGNED & DIMENSIONED
IN MILLIMETERS [INCHES]

BNC5-J-C-XX-ST-BH1

GENDER
-J: JACK

TYPE
-C: CABLE

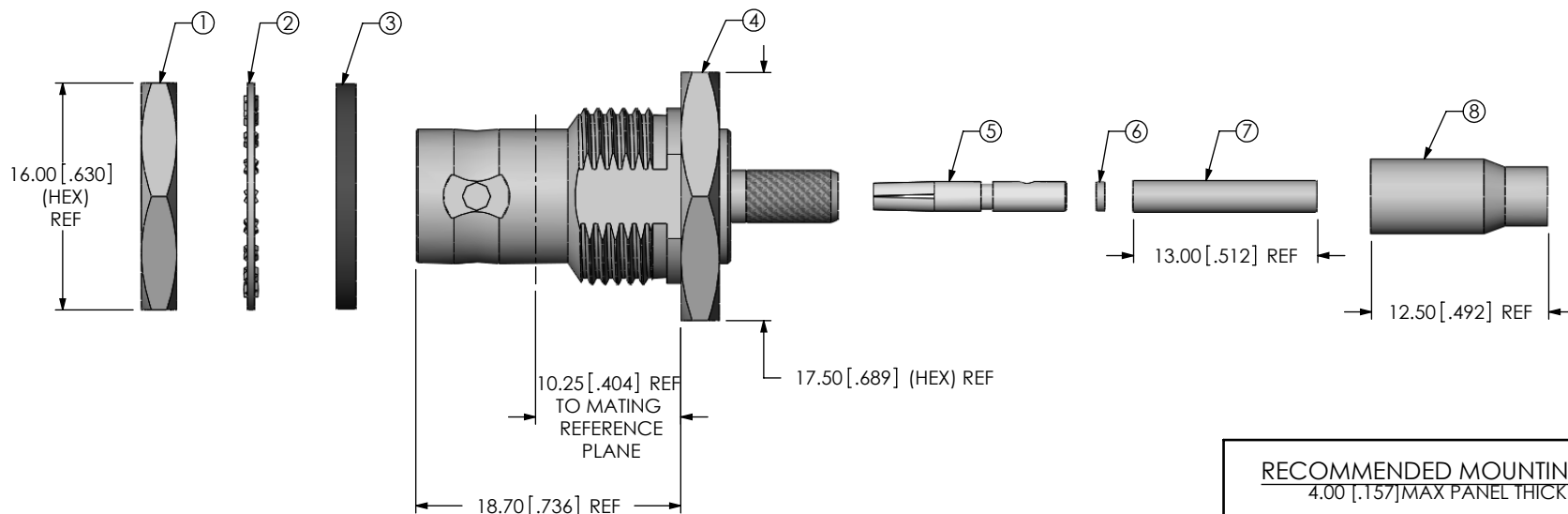
TERMINATION
-BH1: BULKHEAD 1 (RG174 & RG316)

ORIENTATION
-ST: STRAIGHT

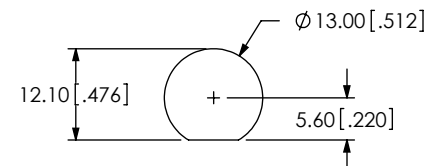
PLATING SPECIFICATION
-HN: 30μ" GOLD CENTER CONTACT,
100μ" NICKEL OUTER CONTACT
-GN: 10μ" GOLD CENTER CONTACT,
100μ" NICKEL OUTER CONTACT
(SEE TABLE 1)

DO NOT
SCALE FROM
THIS PRINT

ITEM	COMPONENT	-HN	-GN
1	HEX NUT	BTNC-NUT-001-N	
2	LOCK WASHER	BTNC-LWAS-001-N	
3	GASKET	BTNC-GKT-001	
4	SUB ASSEMBLY	SUB-BNC5-J-C-N-ST-BH1	
5	SKT	BTNC-SKT-003-H	BTNC-SKT-003-G
6	INSULATOR	BTNC-INS-003	
7	INNER FERRULE	BTNC-FER-002-N	
8	OUTER FERRULE	BNC-FER-002-N	



RECOMMENDED MOUNTING HOLE
4.00 [1.57] MAX PANEL THICKNESS



NOTES:

- ⊕ REPRESENTS A CRITICAL DIMENSION.
- NOTE DELETED.
- NOTE DELETED.
- NOTE DELETED.
- PRODUCT TO BE PACKAGED PER PACKAGING STANDARD CO-HD-WI-3040-M.
- NOTE DELETED.
- NOTE DELETED.
- NOTE DELETED.

UNLESS OTHERWISE SPECIFIED,
DIMENSIONS ARE IN MILLIMETERS [INCHES]

TOLERANCES ARE:
DECIMALS ANGLES
.X: ±0.3 [.01] 5°
.XX: ±0.13 [.005]
.XXX: ±0.051 [.0020]

PROPRIETARY NOTE

THIS DOCUMENT CONTAINS INFORMATION
CONFIDENTIAL AND PROPRIETARY TO
SAMTEC, INC. AND SHALL NOT BE REPRODUCED
OR TRANSFERRED TO OTHER DOCUMENTS OR
DISCLOSED TO OTHERS OR USED FOR ANY
PURPOSE OTHER THAN THAT WHICH IT WAS
OBTAINED WITHOUT THE EXPRESSED WRITTEN
CONSENT OF SAMTEC, INC.



520 PARK EAST BLVD, NEW ALBANY, IN 47150
PHONE: 812-944-6733 FAX: 812-948-5047
e-Mail: info@SAMTEC.com code 55322

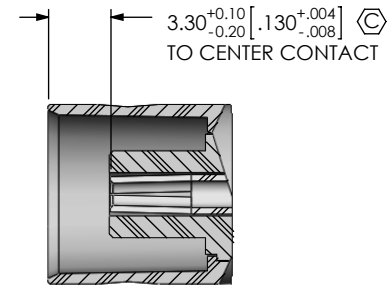
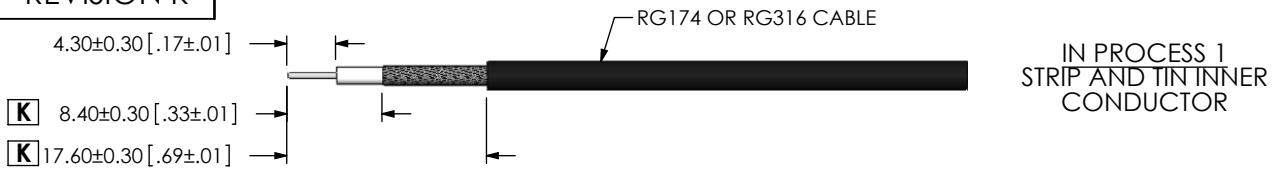
MATERIAL: DO NOT SCALE DRAWING SHEET SCALE: 2:1
SHELL, FERRULE, NUT, WASHER: BRASS
CONTACT: COPPER ALLOY
DIELECTRIC: PTFE
GASKET: SILICONE

DESCRIPTION:
BNC5 STR. CABLE JACK, RG174 & RG316 - 50 OHM

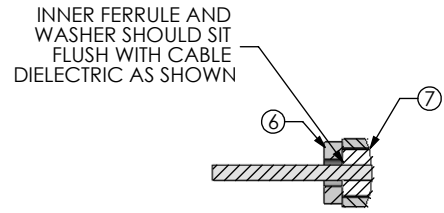
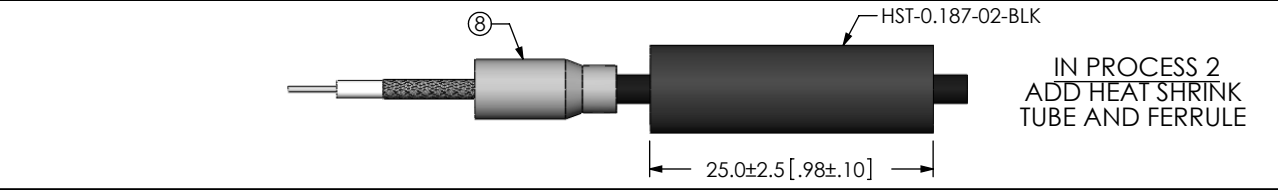
DWG. NO.
BNC5-J-C-XX-ST-BH1

BY: R MUSSER 12/19/2007 SHEET 1 OF 2

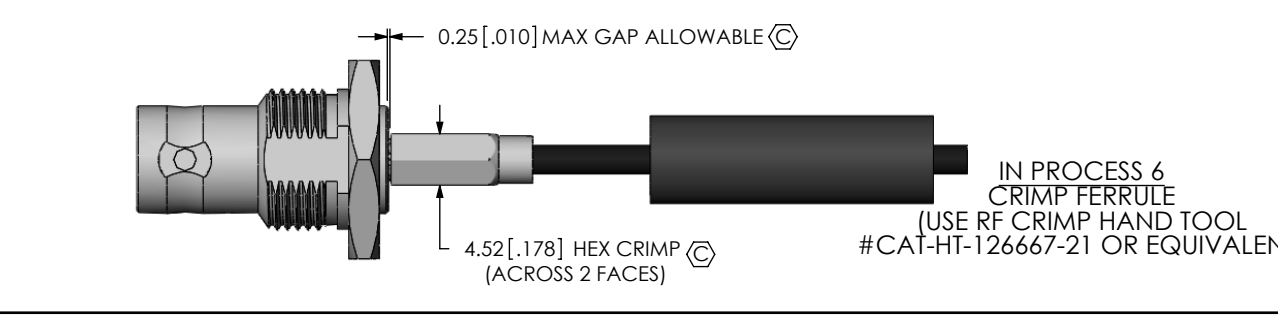
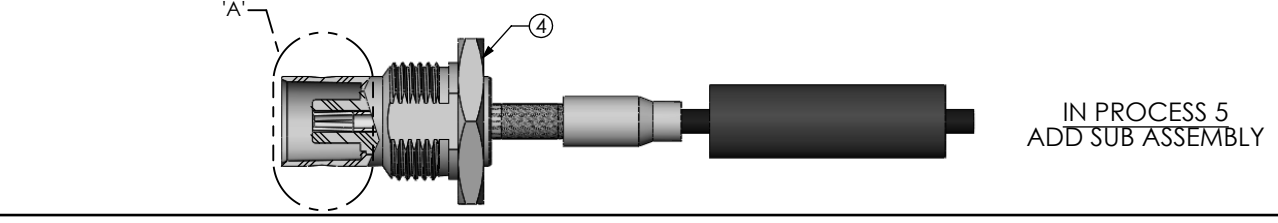
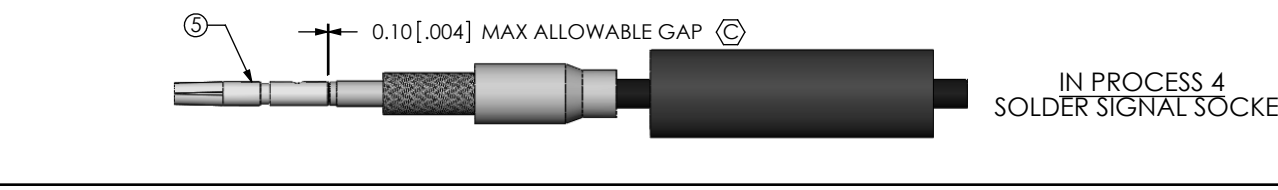
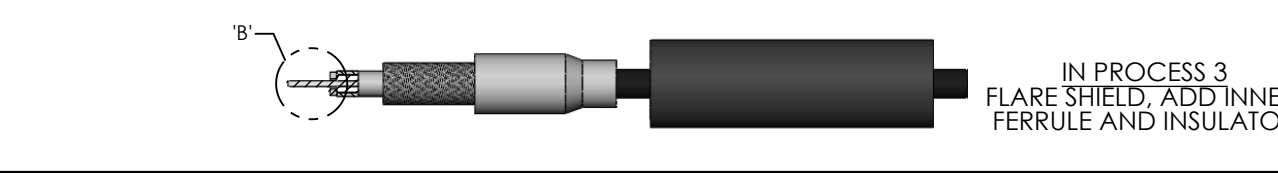
REVISION K



DETAIL 'A'
SCALE 2.5 : 1



DETAIL 'B'
SCALE 4 : 1



F:\DWG\MISC\MKTG\BNC5-J-C-XX-ST-BH1-MKT.SLDDRW

PROPRIETARY NOTE
THIS DOCUMENT CONTAINS INFORMATION
CONFIDENTIAL AND PROPRIETARY TO
SAMTEC, INC. AND SHALL NOT BE REPRODUCED
OR TRANSFERRED TO OTHER DOCUMENTS OR
DISCLOSED TO OTHERS OR USED FOR ANY
PURPOSE OTHER THAN THAT WHICH IT WAS
OBTAINED WITHOUT THE EXPRESSED WRITTEN
CONSENT OF SAMTEC, INC.

520 PARK EAST BLVD, NEW ALBANY, IN 47150
PHONE: 812-944-6733 FAX: 812-948-5047
e-Mail info@SAMTEC.com code 55322



DO NOT SCALE DRAWING

SHEET SCALE: 5:4

DESCRIPTION:
BNC5 STR. CABLE JACK, RG174 & RG316 - 50 OHM
DWG. NO.
BNC5-J-C-XX-ST-BH1
BY: R MUSSER 12/19/2007 SHEET 2 OF 2